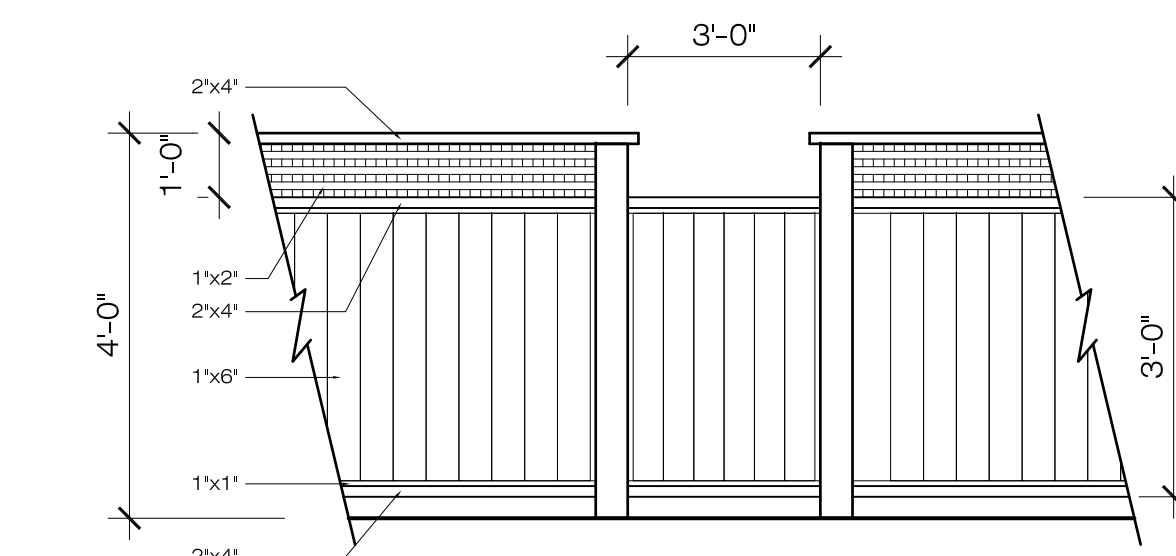
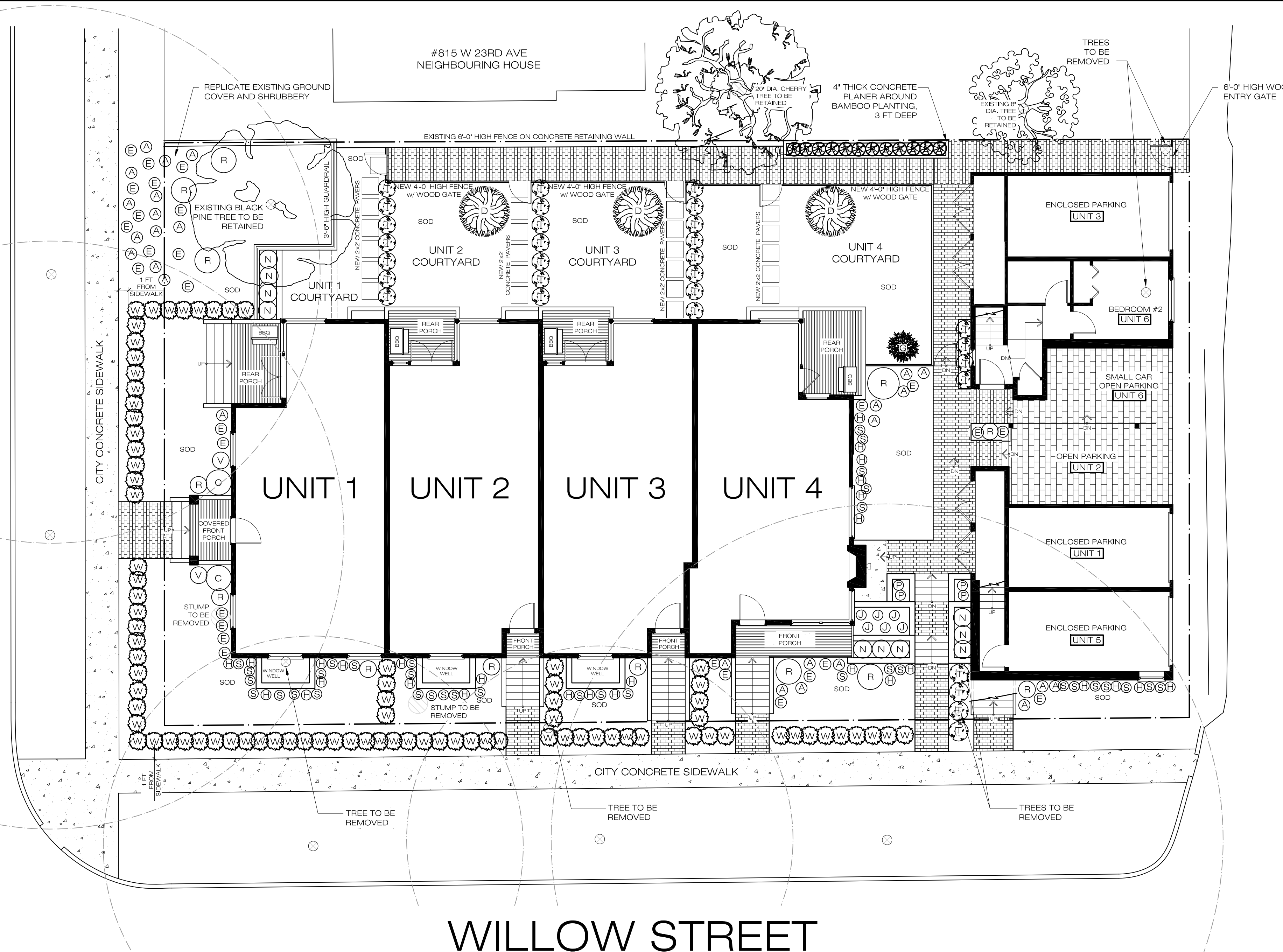
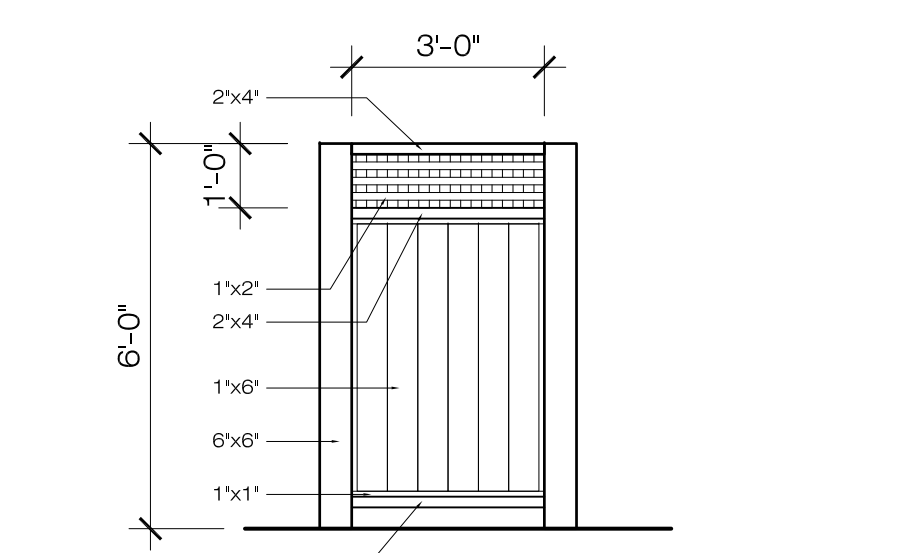


W 23RD AVENUE



WOOD FENCE & GATE w/ TRELLIS AT COURTYARDS - TYPICAL



6'-0" HIGH WOOD ENTRY GATE AT REAR LANE

LANDSCAPE PLANTING LIST

CATEGORY	SYMBOL	SIZE	QUANTITY	COMMON NAME	BOTANICAL NAME
TREES	G	4.0 CM	1	EUROPEAN HORNBEEAM	CAVPIINUS BETULUS GLOBOSA
	D	4.0 CM	3	DWARF EASTERN CATALPA	CATALPA BIGNONIODES 'NANA'
SHRUBS / HEDGES	W	#2 POT	33	BOXWOOD - WEE WILLIE	BUXUS SINICA VAR 'INSULARIS'
	T	2.0'	30	EMERALD CEDAR	THUJA OCCIDENTALIS 'SMARAGD'
	B	1.5' DEEP	12	BAMBOO	BAMBUSEAE
	R	#5 POT	14	RHODODENDRON	RODODENDROM 'BLUE DIAMOND'
	V	#5 POT	2	VIBURNUM	VIBURNUM TINUS 'SPRING BOUQUET'
	A	#2 POT	27	AZALEA	AZALEA JAPONICA 'AMOENA'
	E	#1 POT	30	BARRENWORT	EPEMEDIIUM x VERSICOLOR 'YELLOW FLOWER'
	P	#1 POT	8	BOG ROSEMARY	ANDROMEDA POLIFOLIA
	N	#5 POT	10	NANDINA	NANDINA DOMESTICA 'HEAVENLY BAMBOO'
	H	#2 POT	28	HOSTA	HOSTA 'ROYAL STANDARD'
	S	#2 POT	35	ASH LEAF SPERIA	SORBARIA SORBIFOLIA 'SEM'
	J	#2 POT	6	SKIMMIA	SKIMMIA JAPONICA 'RUBELLA'

NOTE:
ALL PLANT MATERIAL TO BCNLA STANDARDS w/ MINIMUM SOIL DEPTHS OF:

LAWN = 150 cm
SHRUBS = 450 cm
TREES = 1.0 m



CONTRACTORS SHALL VERIFY ALL DIMENSIONS, DATUM AND LEVELS PRIOR TO THE COMMENCEMENT OF WORK. ALL ERRORS AND OMISSIONS TO BE REPORTED IMMEDIATELY TO EDG HOMES INC. VARIATIONS AND MODIFICATIONS TO THE WORK SHOWN ON THESE DRAWINGS SHALL NOT BE CARRIED OUT WITHOUT THE PRIOR APPROVAL OF THE OWNER.

5		
4		
3		
2	DE	20/05/15
1	PRE	03/02/15
	REV.	DATE

EDG HOMES INC.
 2 - 3304 CAMBIE ST. VANCOUVER, B.C. V5Z 2W5
 604-708-0572 OFFICE 604-708-0542 FAX
 email: EDG@telus.net

PROJECT:
809 W 23RD AVENUE
VANCOUVER, BC

DRAWING:
LANDSCAPE PLAN

SCALE: 1/4" = 1'-0"

DATE: FEB. 03, 2015

A25