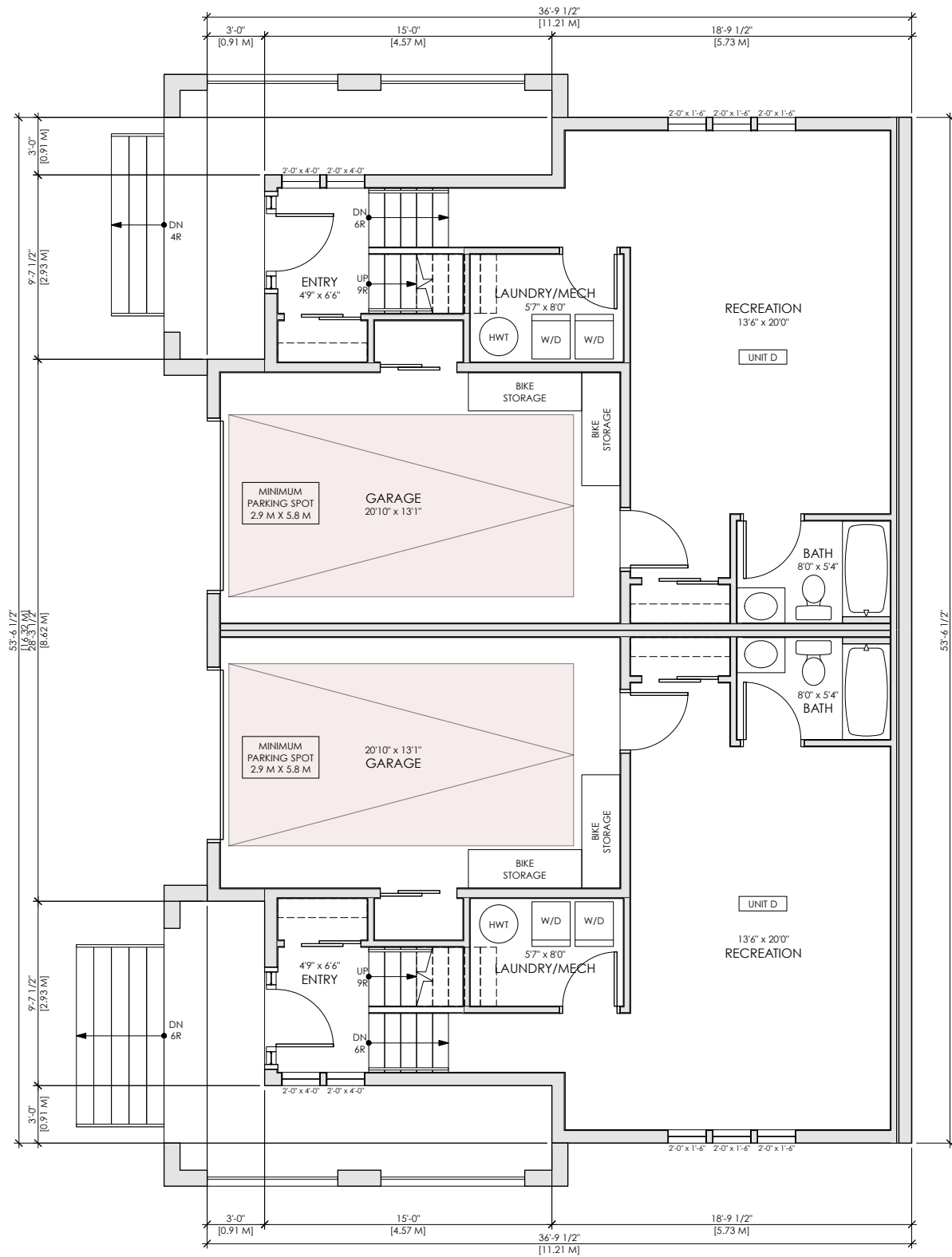


This plan and design are, and at all times remain the exclusive property of Formwerks Architectural Inc. and cannot be used or reproduced without written consent by Formwerks Architectural Inc. Written dimensions shall have precedence over scaled dimensions. Contractors shall verify and be responsible for all dimensions and conditions on the job. Formwerks Architectural Inc. shall be informed of any variation from the dimensions and conditions on the drawing.

REVISIONS

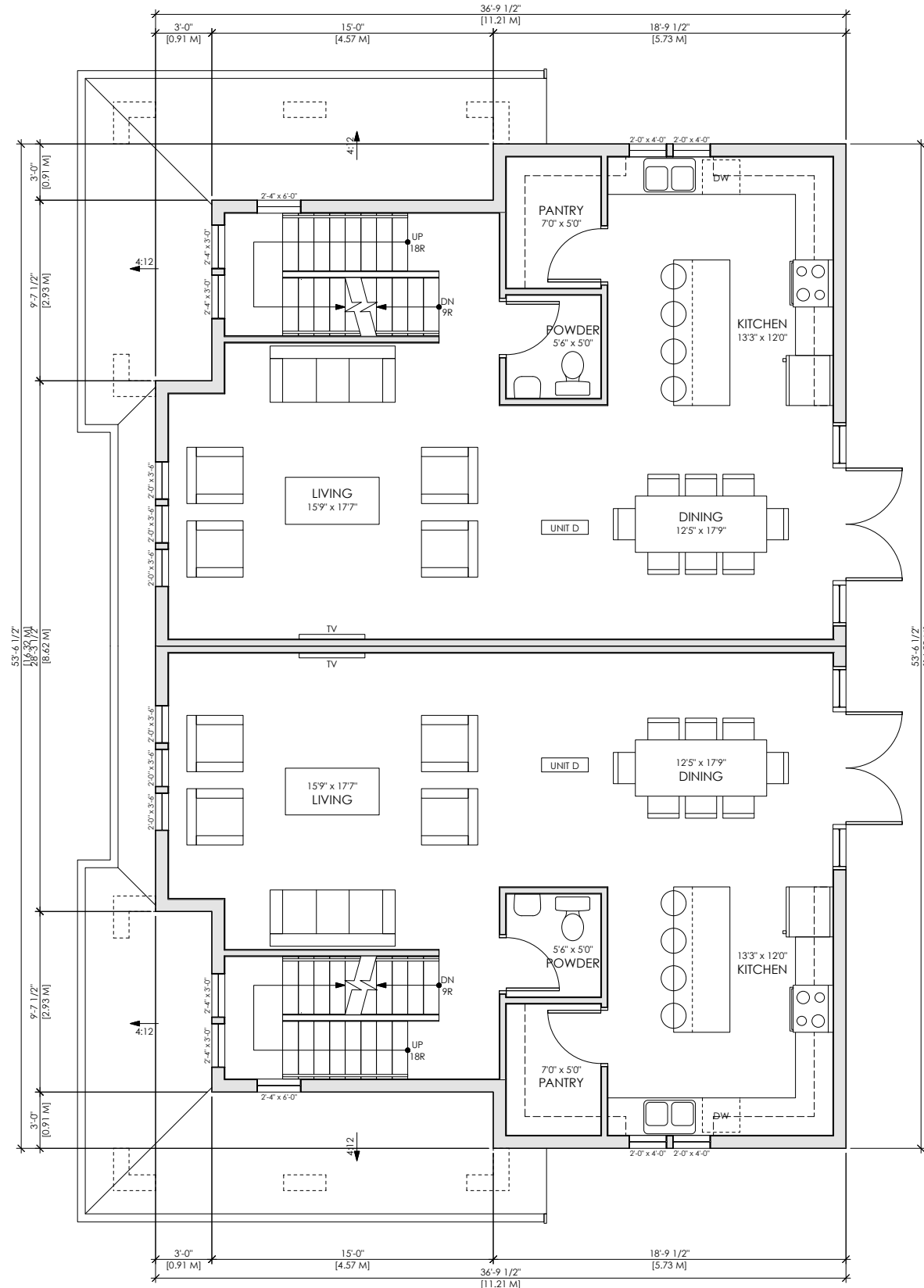
ISSUED FOR DEVELOPMENT PERMIT	JUN.08.2016
ISSUED FOR REZONING ENQUIRY	NOV.23.2016
ISSUED FOR REZONING APPLICATION	MAR.31.2017



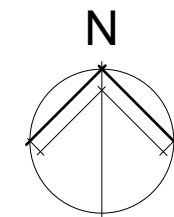
LEVEL 1 PLAN
INFILL 1

LEGEND

SP	SPRING POINT
[Symbol]	LOW HEADROOM
[Symbol]	EXISTING WALLS
[Symbol]	NEW ADDITION



LEVEL 2 PLAN
INFILL 1



	INFILL UNIT D FLOOR AREAS					TOTAL	INFILL 1 TOTAL FLOOR AREAS					TOTAL
	LEVEL 0	LEVEL 1	LEVEL 2	LEVEL 3			LEVEL 0	LEVEL 1	LEVEL 2	LEVEL 3		
GROSS	0.0 SF	902.1 SF	902.1 SF	859.6 SF		2463.8 SF	0.0 SF	1804.1 SF	1804.1 SF	1719.3 SF		5327.5 SF
EXCLUSIONS	0.0 SF	299.8 SF	0.0 SF	106.7 SF		406.5 SF	0.0 SF	599.5 SF	0.0 SF	213.5 SF		813.0 SF
NET	0.0 SF	602.3 SF	902.1 SF	752.9 SF		2257.3 SF	0.0 SF	1204.6 SF	1804.1 SF	1505.8 SF		4514.6 SF



1625 West 5th Ave., Vancouver, BC V6J 1N5
Fax 685-2076 Phone 683-5441

PROJECT
WEST BOULEVARD
6825 WEST BOULEVARD,
VANCOUVER, BC

DRAWING
INFILL 1 PLANS

SCALE
1/4" = 1'-0"

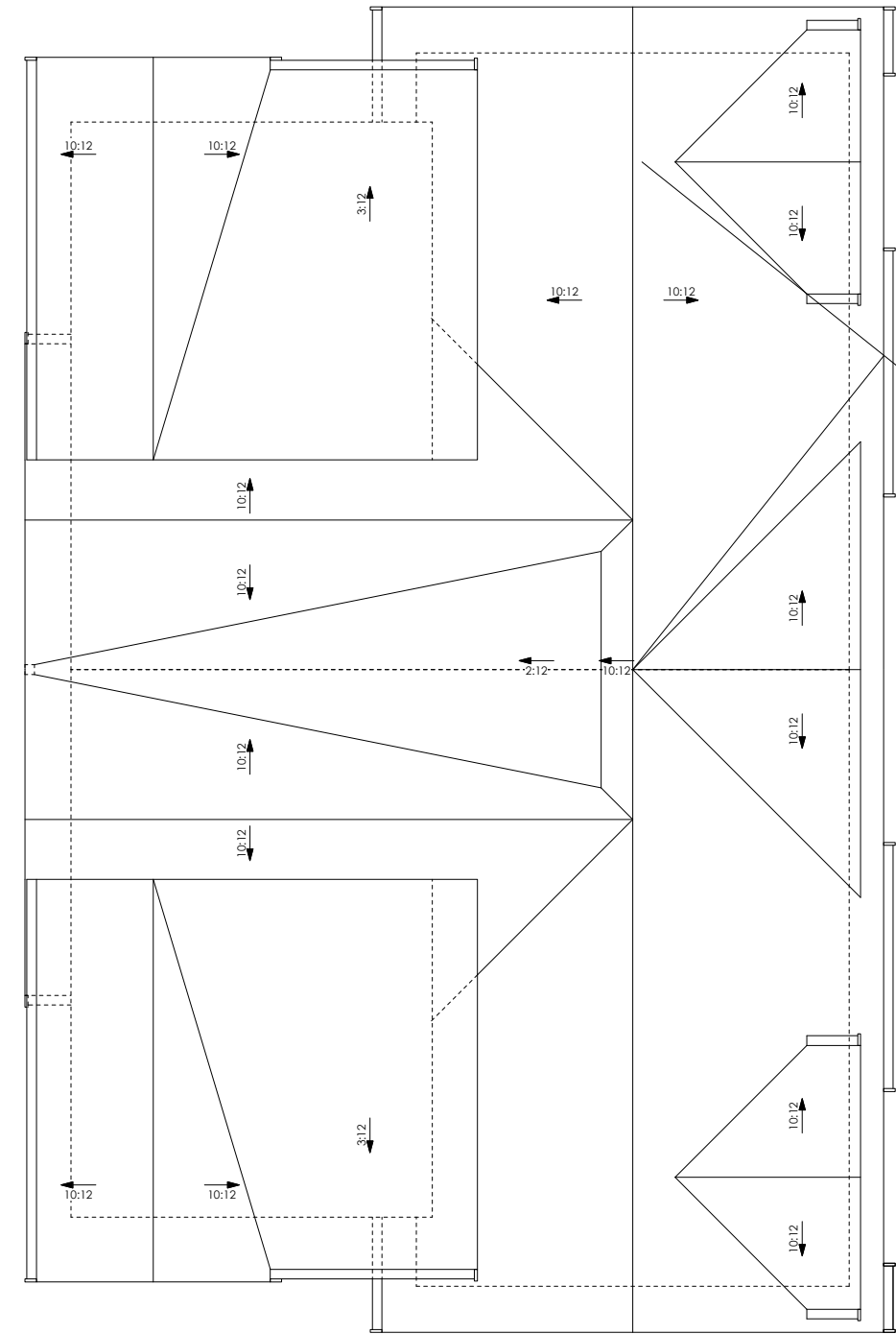
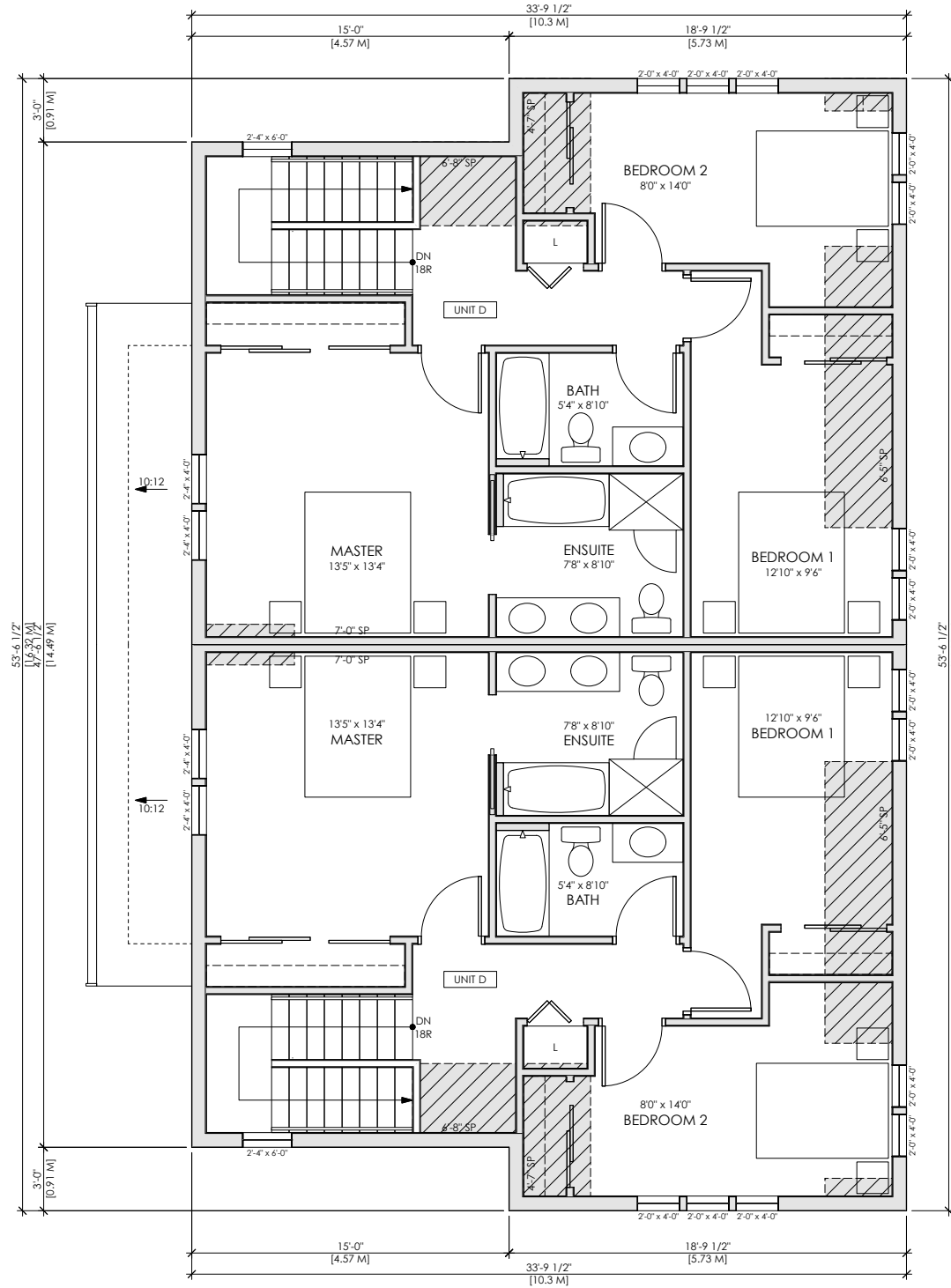
SHEET
A3.13

DATE
JUNE 2016

This plan and design are, and at all times remain the exclusive property of Formwerks Architectural Inc. and cannot be used or reproduced without written consent by Formwerks Architectural Inc. Written dimensions shall have precedence over scaled dimensions. Contractors shall verify and be responsible for all dimensions and conditions on the job. Formwerks Architectural Inc. shall be informed of any variation from the dimensions and conditions on the drawing.

REVISIONS

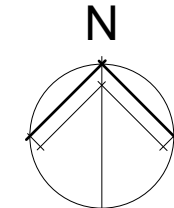
ISSUED FOR DEVELOPMENT PERMIT	JUN.08.2016
ISSUED FOR REZONING ENQUIRY	NOV.23.2016
ISSUED FOR REZONING APPLICATION	MAR.31.2017



LEGEND

SP	SPRING POINT
[Symbol]	LOW HEADROOM
[Symbol]	EXISTING WALLS
[Symbol]	NEW ADDITION

	INFILL UNIT D FLOOR AREAS					TOTAL	INFILL 1 TOTAL FLOOR AREAS					TOTAL
	LEVEL 0	LEVEL 1	LEVEL 2	LEVEL 3			LEVEL 0	LEVEL 1	LEVEL 2	LEVEL 3		
GROSS	0.0 SF	902.1 SF	902.1 SF	859.6 SF		2663.8 SF	0.0 SF	1804.1 SF	1804.1 SF	1719.3 SF		5327.5 SF
EXCLUSIONS	0.0 SF	299.8 SF	0.0 SF	106.7 SF		406.5 SF	0.0 SF	599.5 SF	0.0 SF	213.5 SF		813.0 SF
NET	0.0 SF	602.3 SF	902.1 SF	752.9 SF		2257.3 SF	0.0 SF	1204.6 SF	1804.1 SF	1505.8 SF		4514.6 SF



1625 West 5th Ave., Vancouver, BC V6J 1N5
Fax 685-2076 Phone 683-5441

PROJECT
WEST BOULEVARD
6825 WEST BOULEVARD,
VANCOUVER, BC

DRAWING
INFILL 1 PLANS

SCALE
1/4" = 1'-0"

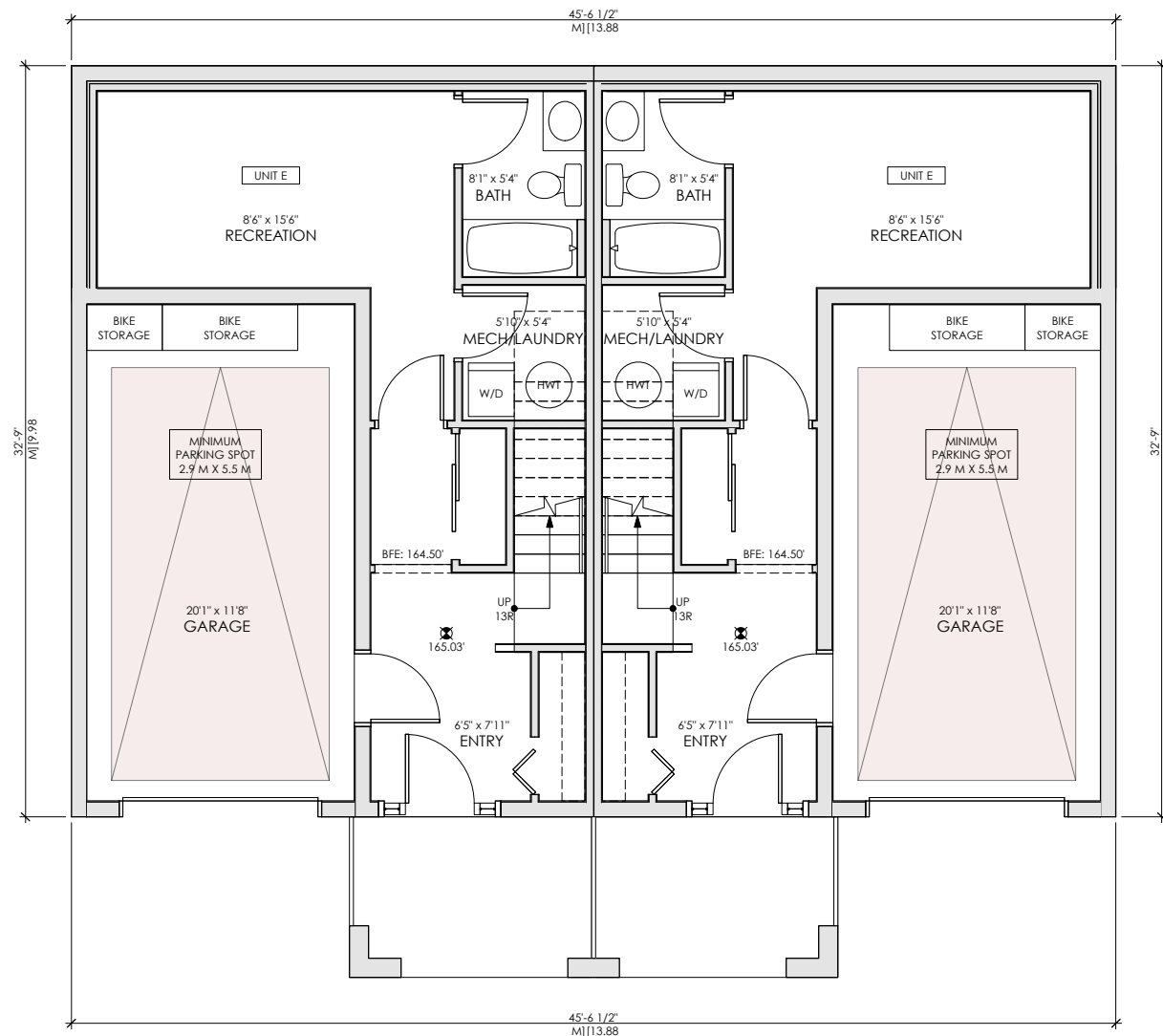
DATE
JUNE 2016

SHEET
A3.14

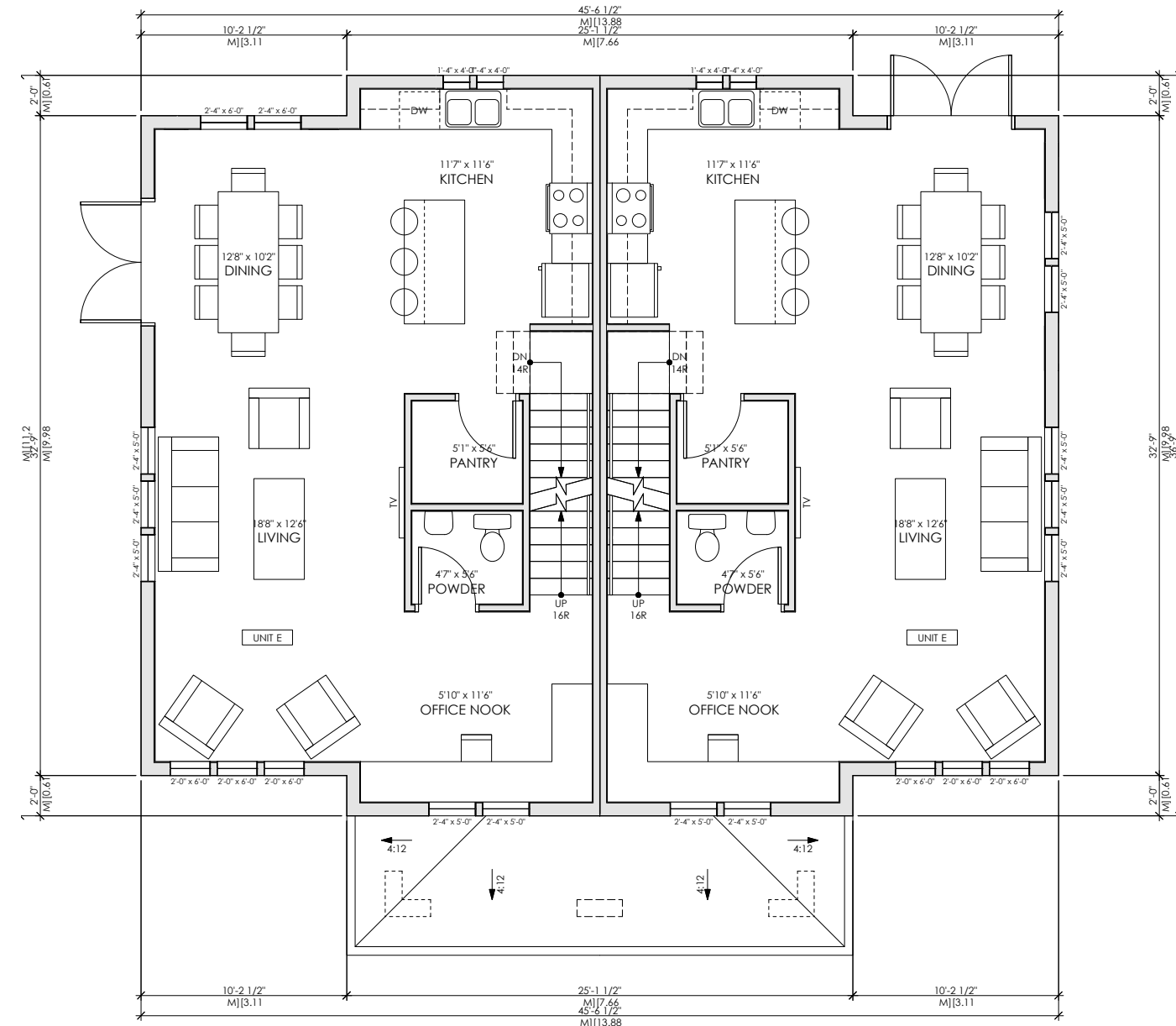
This plan and design are, and at all times remain the exclusive property of Formwerks Architectural Inc. and cannot be used or reproduced without written consent by Formwerks Architectural Inc. Written dimensions shall have precedence over scaled dimensions. Contractors shall verify and be responsible for all dimensions and conditions on the job. Formwerks Architectural Inc. shall be informed of any variation from the dimensions and conditions on the drawing.

REVISIONS

ISSUED FOR DEVELOPMENT PERMIT	JUN. 08, 2016
ISSUED FOR REZONING ENQUIRY	NOV. 23, 2016
ISSUED FOR REZONING APPLICATION	MAR. 31, 2017



LEVEL 1 PLAN
INFILL 2



LEVEL 2 PLAN
INFILL 2

LEGEND

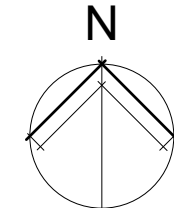
SP	SPRING POINT
[Symbol]	LOW HEADROOM
[Symbol]	EXISTING WALLS
[Symbol]	NEW ADDITION

INFILL UNIT E FLOOR AREAS

	LEVEL 0	LEVEL 1	LEVEL 2	LEVEL 3	TOTAL
GROSS	0.0 SF	745.7 SF	796.0 SF	745.7 SF	2287.5 SF
EXCLUSIONS	0.0 SF	288.2 SF	0.0 SF	182.9 SF	471.1 SF
NET	0.0 SF	457.5 SF	796.0 SF	562.9 SF	1816.4 SF

INFILL 2 TOTAL FLOOR AREAS

	LEVEL 0	LEVEL 1	LEVEL 2	LEVEL 3	TOTAL
GROSS	0.0 SF	1491.5 SF	1592.0 SF	1491.5 SF	4575.0 SF
EXCLUSIONS	0.0 SF	576.4 SF	0.0 SF	365.8 SF	942.2 SF
NET	0.0 SF	915.1 SF	1592.0 SF	1125.7 SF	3632.8 SF



1625 West 5th Ave., Vancouver, BC V6J 1N5
Fax 685-2076 Phone 683-5441

PROJECT
WEST BOULEVARD
6825 WEST BOULEVARD,
VANCOUVER, BC

DRAWING
INFILL 2 PLANS

SCALE
1/4" = 1'-0"

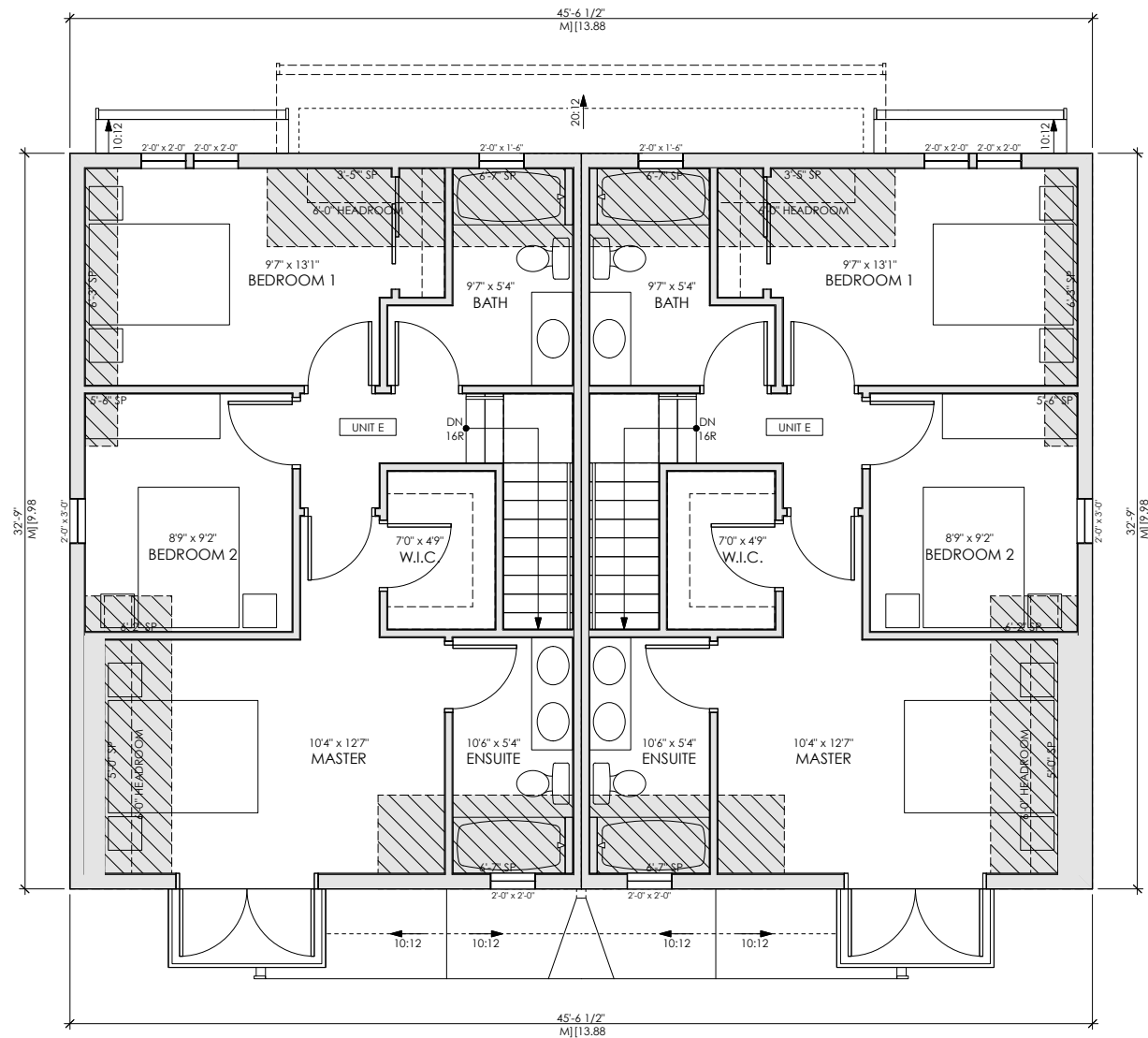
SHEET
A3.17

DATE
JUNE 2016

This plan and design are, and at all times remain the exclusive property of Formwerks Architectural Inc. and cannot be used or reproduced without written consent by Formwerks Architectural Inc. Written dimensions shall have precedence over scaled dimensions. Contractors shall verify and be responsible for all dimensions and conditions on the job. Formwerks Architectural Inc. shall be informed of any variation from the dimensions and conditions on the drawing.

REVISIONS

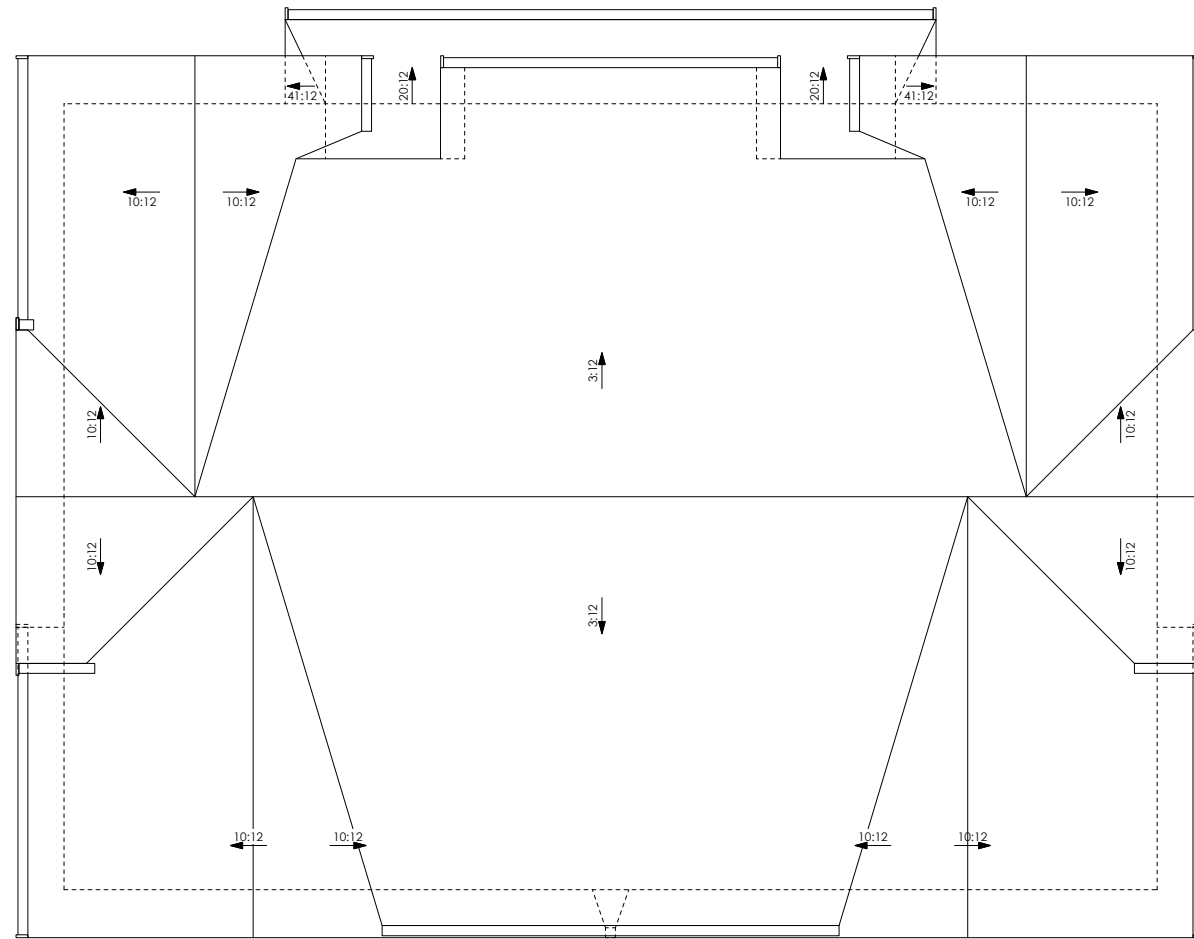
ISSUED FOR DEVELOPMENT PERMIT	JUN. 08, 2016
ISSUED FOR REZONING ENQUIRY	NOV. 23, 2016
ISSUED FOR REZONING APPLICATION	MAR. 31, 2017



LEVEL 3 PLAN
INFILL 2

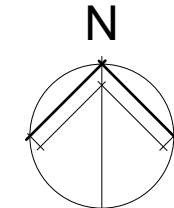
LEGEND

SP	SPRING POINT
[Symbol]	LOW HEADROOM
[Symbol]	EXISTING WALLS
[Symbol]	NEW ADDITION



ROOF PLAN
INFILL 2

	INFILL UNIT E FLOOR AREAS					TOTAL	INFILL 2 TOTAL FLOOR AREAS					TOTAL
	LEVEL 0	LEVEL 1	LEVEL 2	LEVEL 3			LEVEL 0	LEVEL 1	LEVEL 2	LEVEL 3		
GROSS	0.0 SF	745.7 SF	796.0 SF	745.7 SF		2287.5 SF	0.0 SF	1491.5 SF	1592.0 SF	1491.5 SF		4575.0 SF
EXCLUSIONS	0.0 SF	288.2 SF	0.0 SF	182.9 SF		471.1 SF	0.0 SF	576.4 SF	0.0 SF	365.8 SF		942.2 SF
NET	0.0 SF	457.5 SF	796.0 SF	562.9 SF		1816.4 SF	0.0 SF	915.1 SF	1592.0 SF	1125.7 SF		3632.8 SF



PROJECT
WEST BOULEVARD
6825 WEST BOULEVARD,
VANCOUVER, BC

DRAWING
INFILL 2 PLANS

SCALE
1/4" = 1'-0"

SHEET
A3.18

DATE
JUNE 2016

FORMWERKS
BOUTIQUE PROPERTIES

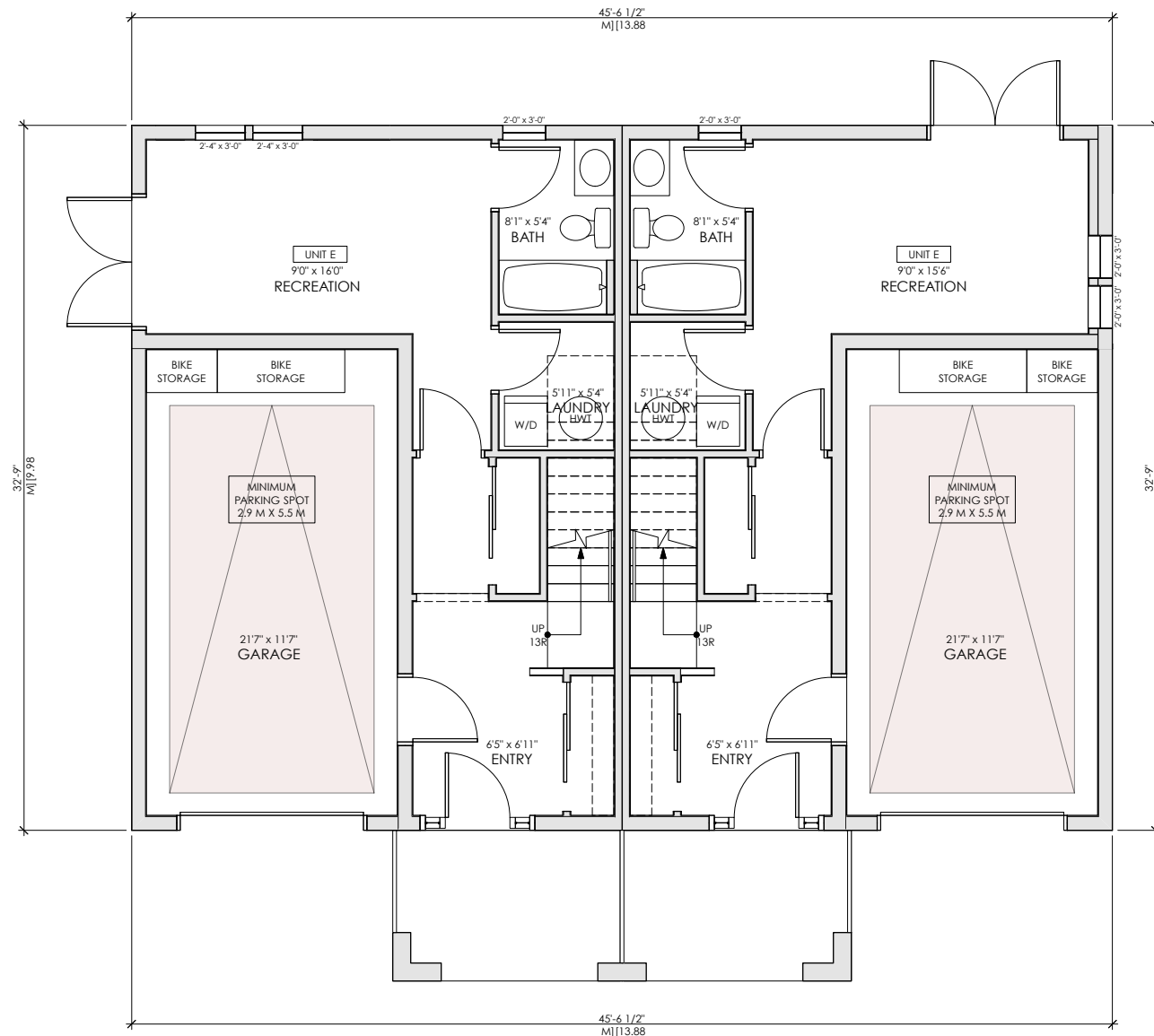
FORMWERKS
ARCHITECTURAL

1625 West 5th Ave., Vancouver, BC V6J 1N5
Fax 685-2076 Phone 683-5441

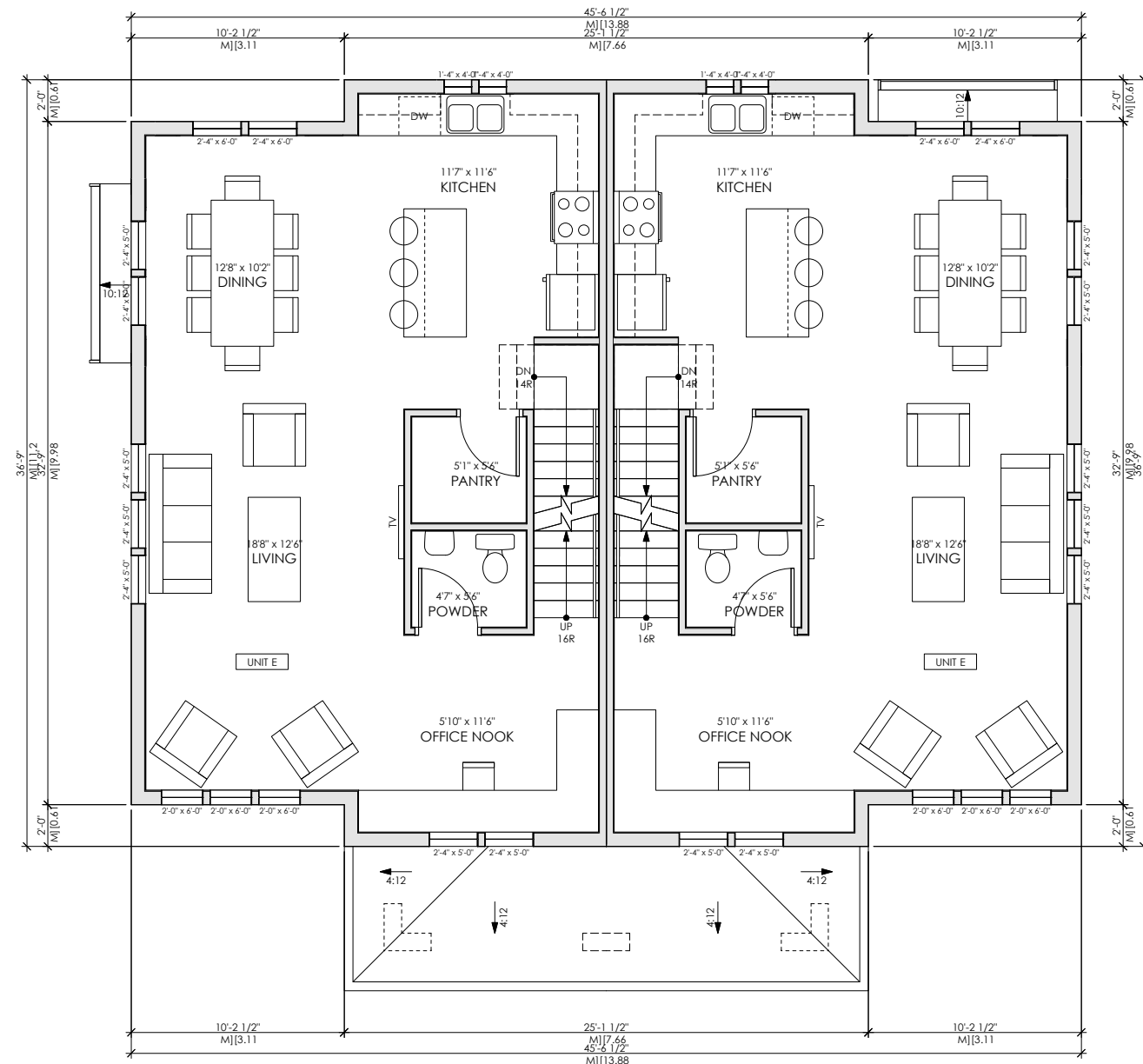
This plan and design are, and at all times remain the exclusive property of Formwerks Architectural Inc. and cannot be used or reproduced without written consent by Formwerks Architectural Inc. Written dimensions shall have precedence over scaled dimensions. Contractors shall verify and be responsible for all dimensions and conditions on the job. Formwerks Architectural Inc. shall be informed of any variation from the dimensions and conditions on the drawing.

REVISIONS

ISSUED FOR DEVELOPMENT PERMIT	JUN. 08, 2016
ISSUED FOR REZONING ENQUIRY	NOV. 23, 2016
ISSUED FOR REZONING APPLICATION	MAR. 31, 2017



LEVEL 1 PLAN
INFILL 3



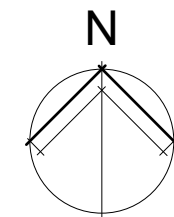
LEVEL 2 PLAN
INFILL 3

LEGEND

SP	SPRING POINT
[Symbol]	LOW HEADROOM
[Symbol]	EXISTING WALLS
[Symbol]	NEW ADDITION

INFILL UNIT E FLOOR AREAS	INFILL 3 TOTAL FLOOR AREAS				
	LEVEL 0	LEVEL 1	LEVEL 2	LEVEL 3	TOTAL
GROSS	0.0 SF	745.7 SF	796.0 SF	745.7 SF	2287.5 SF
EXCLUSIONS	0.0 SF	288.2 SF	0.0 SF	182.9 SF	471.1 SF
NET	0.0 SF	457.5 SF	796.0 SF	562.9 SF	1816.4 SF

INFILL 3 TOTAL FLOOR AREAS	INFILL 3 TOTAL FLOOR AREAS				
	LEVEL 0	LEVEL 1	LEVEL 2	LEVEL 3	TOTAL
GROSS	0.0 SF	1491.5 SF	1592.0 SF	1491.5 SF	3083.5 SF
EXCLUSIONS	0.0 SF	576.4 SF	0.0 SF	365.8 SF	576.4 SF
NET	0.0 SF	915.1 SF	1592.0 SF	1125.7 SF	3632.8 SF



1625 West 5th Ave., Vancouver, BC V6J 1N5
Fax 685-2076 Phone 683-5441

PROJECT

WEST BOULEVARD

6825 WEST BOULEVARD,
VANCOUVER, BC

DRAWING

INFILL 3
PLANS

SCALE SHEET

1/4" = 1'-0"

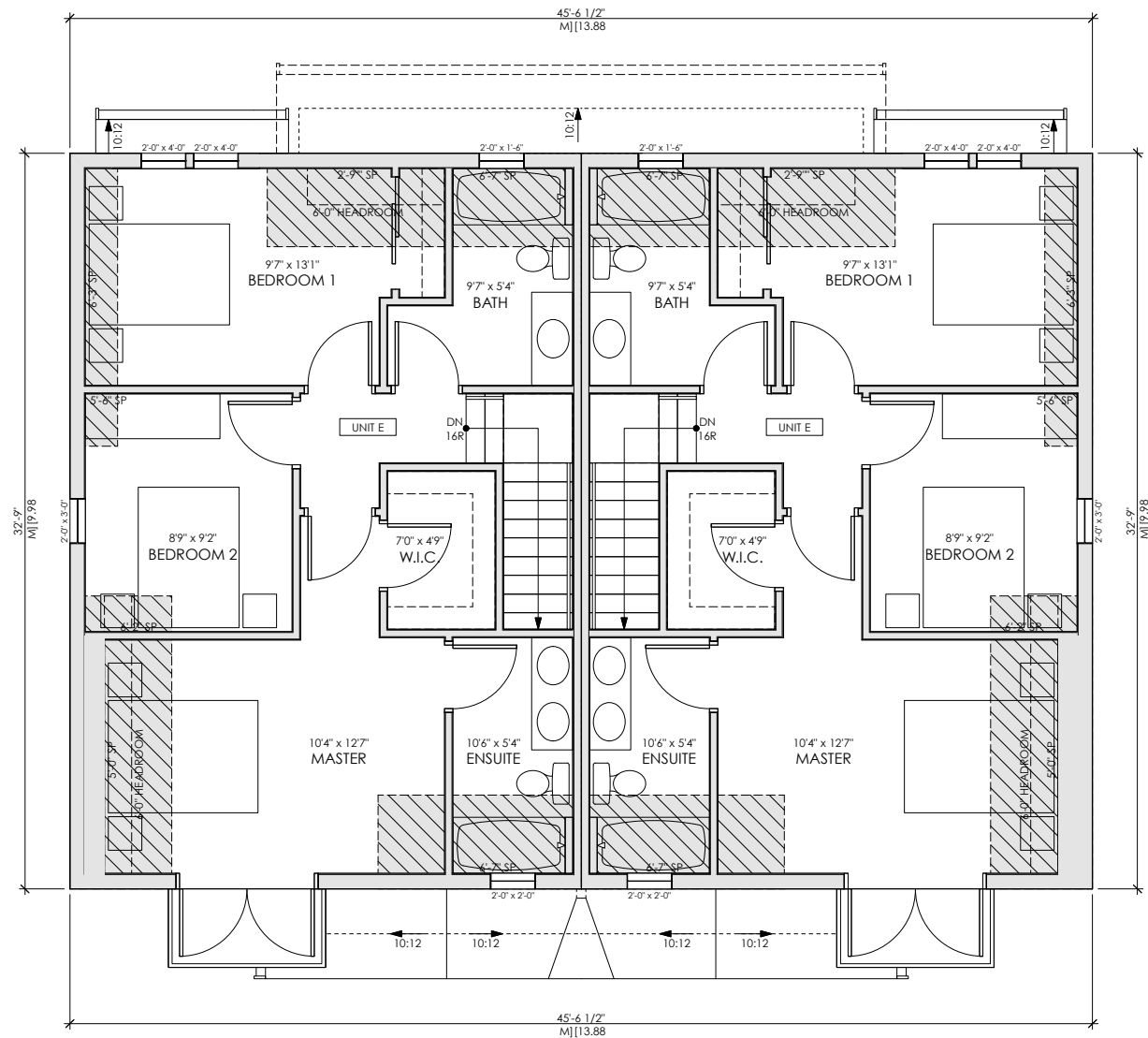
DATE **A3.21**

JUNE 2016

This plan and design are, and at all times remain the exclusive property of Formwerks Architectural Inc. and cannot be used or reproduced without written consent by Formwerks Architectural Inc. Written dimensions shall have precedence over scaled dimensions. Contractors shall verify and be responsible for all dimensions and conditions on the job. Formwerks Architectural Inc. shall be informed of any variation from the dimensions and conditions on the drawing.

REVISIONS

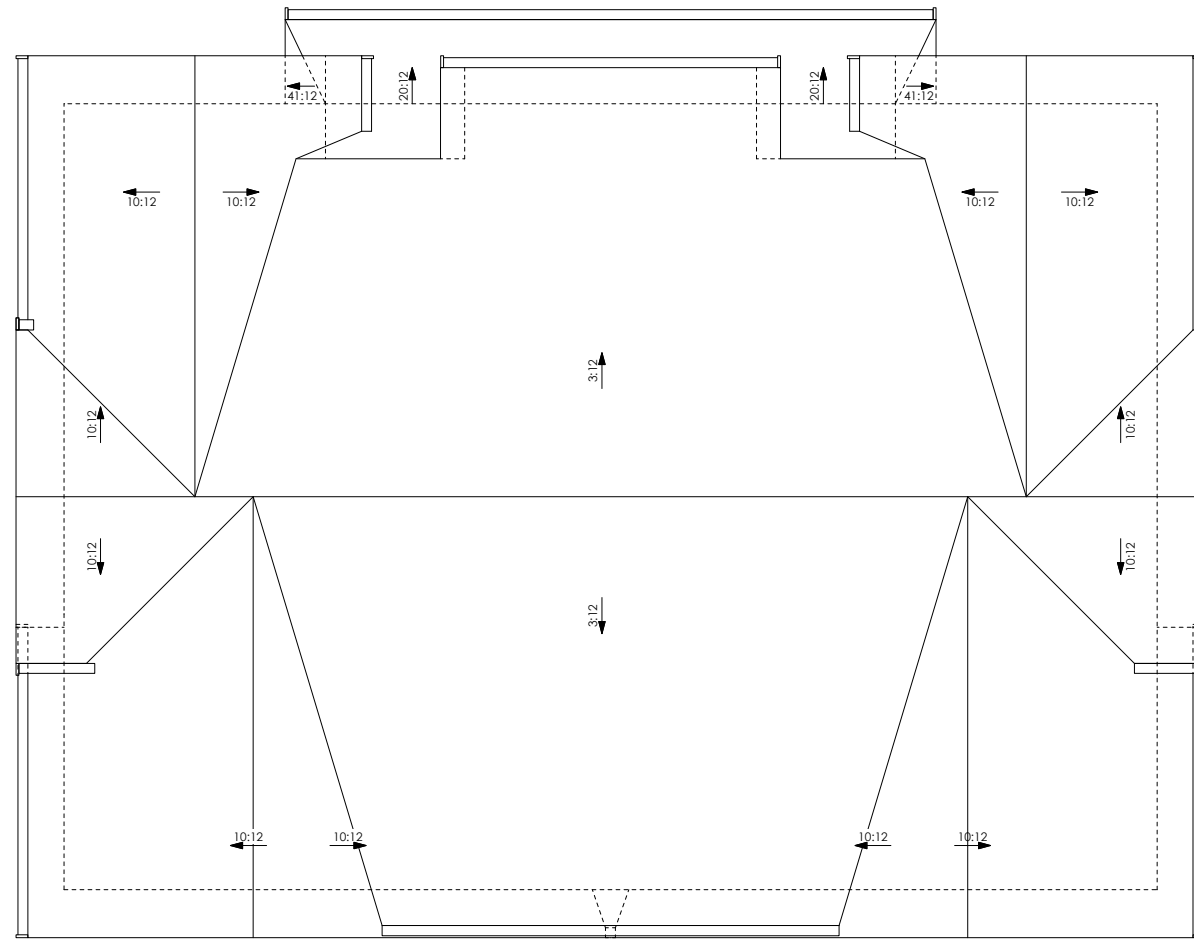
ISSUED FOR DEVELOPMENT PERMIT	JUN.08.2016
ISSUED FOR REZONING ENQUIRY	NOV.23.2016
ISSUED FOR REZONING APPLICATION	MAR.31.2017



LEVEL 3 PLAN
INFILL 3

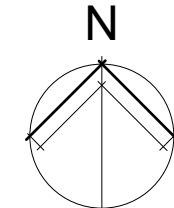
LEGEND

SP	SPRING POINT
[Symbol]	LOW HEADROOM
[Symbol]	EXISTING WALLS
[Symbol]	NEW ADDITION



ROOF PLAN
INFILL 3

	INFILL UNIT E FLOOR AREAS					TOTAL	INFILL 3 TOTAL FLOOR AREAS					TOTAL
	LEVEL 0	LEVEL 1	LEVEL 2	LEVEL 3			LEVEL 0	LEVEL 1	LEVEL 2	LEVEL 3		
GROSS	0.0 SF	745.7 SF	796.0 SF	745.7 SF		2287.5 SF	0.0 SF	1491.5 SF	1592.0 SF	1491.5 SF		3083.5 SF
EXCLUSIONS	0.0 SF	288.2 SF	0.0 SF	182.9 SF		471.1 SF	0.0 SF	576.4 SF	0.0 SF	365.8 SF		576.4 SF
NET	0.0 SF	457.5 SF	796.0 SF	562.9 SF		1816.4 SF	0.0 SF	915.1 SF	1592.0 SF	1125.7 SF		3632.8 SF



PROJECT
WEST BOULEVARD
6825 WEST BOULEVARD,
VANCOUVER, BC

DRAWING
INFILL 3 PLANS

SCALE
1/4" = 1'-0"

SHEET
A3.22

DATE
JUNE 2016



1625 West 5th Ave., Vancouver, BC V6J 1N5
Fax 685-2076 Phone 683-5441