

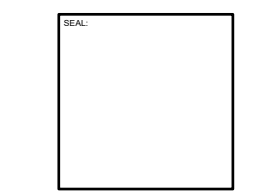
COPYRIGHT RESERVED. THIS DRAWING MUST NOT BE SCALED. VARIATIONS AND MODIFICATIONS TO WORK SHOWN ON THESE DRAWINGS SHALL NOT BE CARRIED OUT WITHOUT WRITTEN PERMISSION FROM THE ARCHITECTS. THIS DRAWING IS THE EXCLUSIVE PROPERTY OF CICCOTZI ARCHITECTURE INC. AND CAN BE REPRODUCED ONLY WITH THEIR WRITTEN PERMISSION.

REVISION:

NO.	DATE	DESCRIPTION

ISSUE:

NO.	DATE	DESCRIPTION
1	2018-05-14	ISSUE FOR REZONING



CICCOZZI
ARCHITECTURE

200 - 2339 COLUMBIA STREET
VANCOUVER, B.C.
CANADA V5Y 3Y3
TEL: (604) 687-4741

PROJECT:

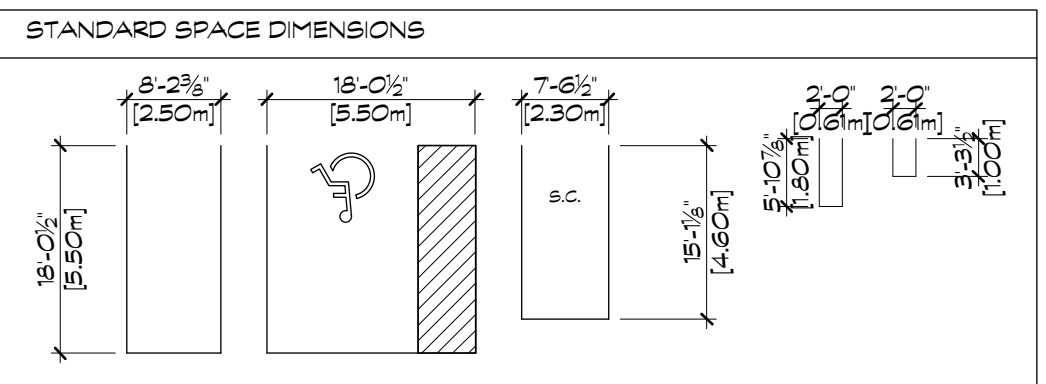
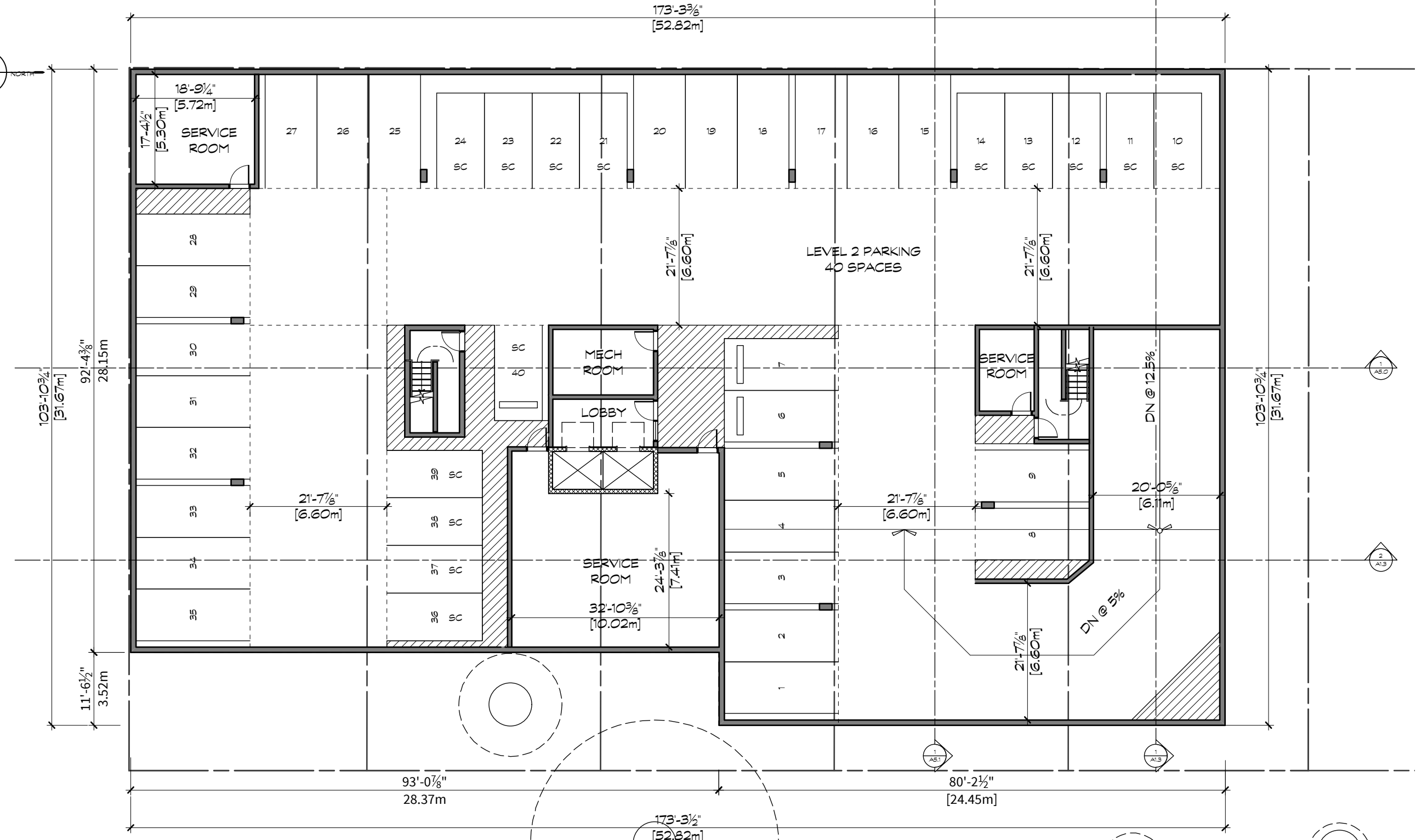
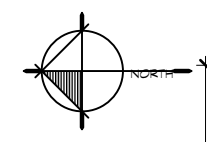
QUEBEC ST AND 33RD AVE
VANCOUVER, BC

DRAWN: AW	CHECKED BY: SS
SCALE: 1:200	PROJECT NO.: CA 560

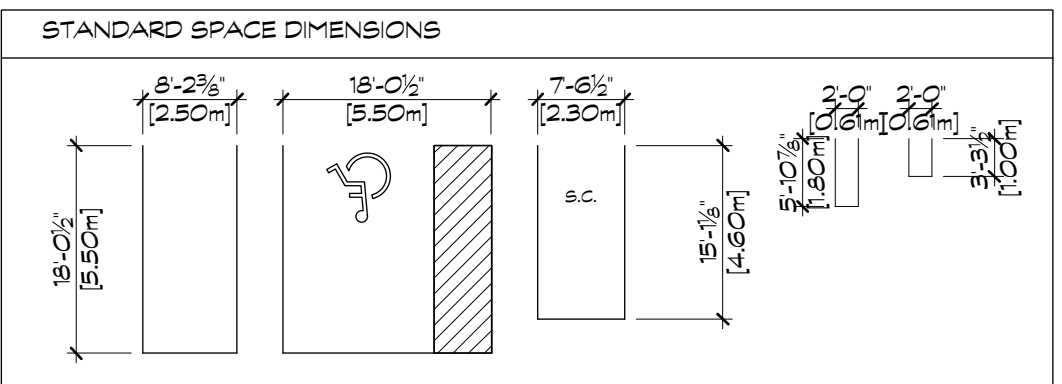
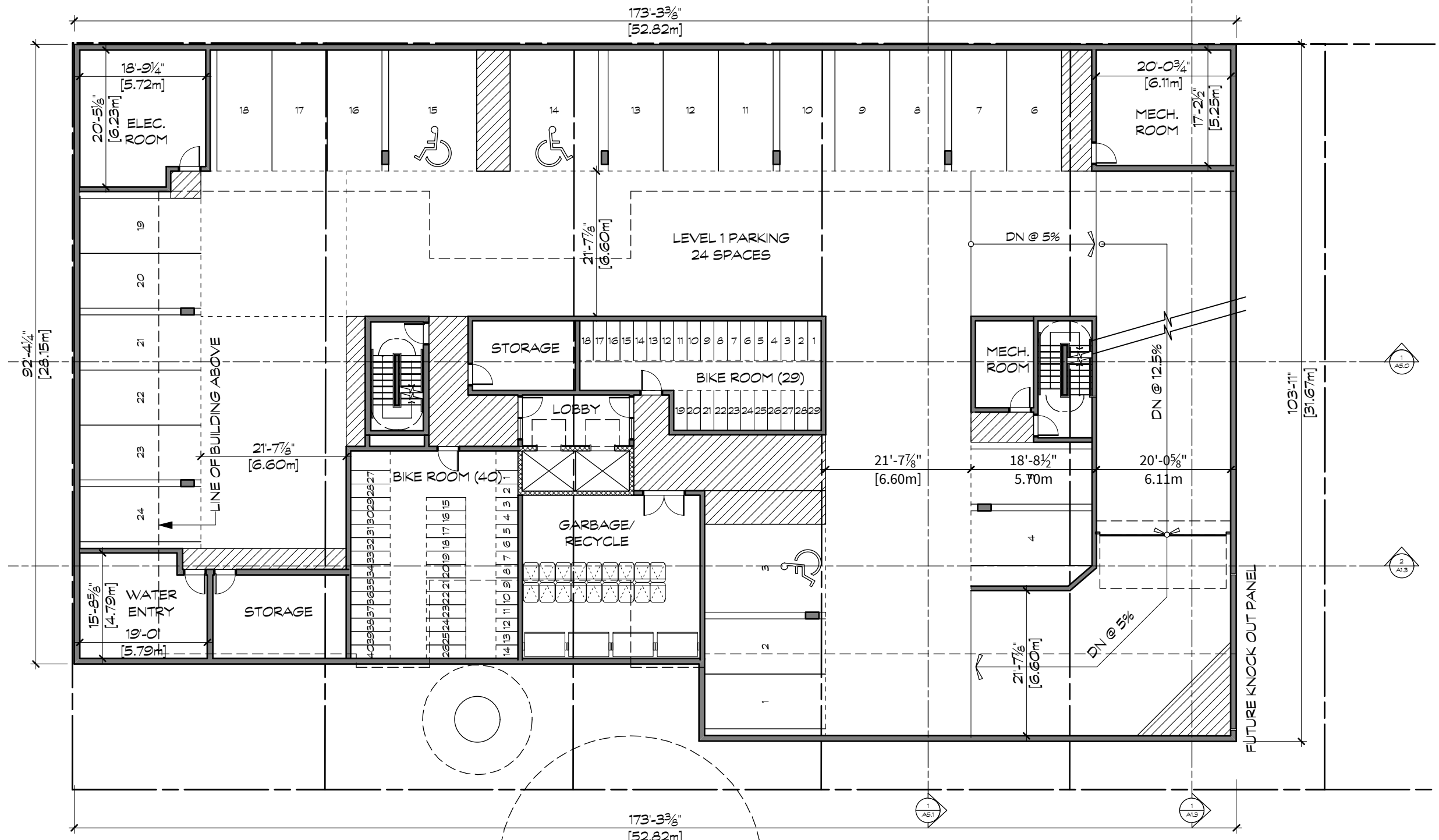
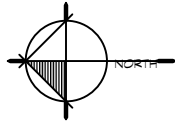
SHEET TITLE:

**PARKADE
LEVEL 2**

REVISION NO.: -	SHEET NO.: A1.1
--------------------	--------------------



File: C:\560 ALU 516 File Plan.rvt - Plotted: 8/13/2018 3:46:42 PM



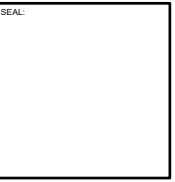
COPYRIGHT RESERVED. THIS DRAWING MUST NOT BE SCALED. VARIATIONS AND MODIFICATIONS TO WORK SHOWN ON THESE DRAWINGS SHALL NOT BE CARRIED OUT WITHOUT WRITTEN PERMISSION FROM THE ARCHITECTS. THIS DRAWING IS THE EXCLUSIVE PROPERTY OF CICOZZI ARCHITECTURE INC. AND CAN BE REPRODUCED ONLY WITH THEIR WRITTEN PERMISSION.

REVISION:

NO.	DATE	DESCRIPTION

ISSUE:

NO.	DATE	DESCRIPTION
1	2018-08-14	ISSUE FOR REZONING



CICOZZI
ARCHITECTURE

200 - 2339 COLUMBIA STREET
VANCOUVER, B.C.
CANADA V5Y 3Y3
TEL: (604) 687-4741

PROJECT:
QUEBEC ST AND 33RD AVE
VANCOUVER, BC

DRAWN: AW	CHECKED BY: SS
SCALE: 1:200	PROJECT NO.: CA 560

SHEET TITLE:
**PARKADE
LEVEL 1**

REVISION NO.: -	SHEET NO.: A1.2
--------------------	--------------------