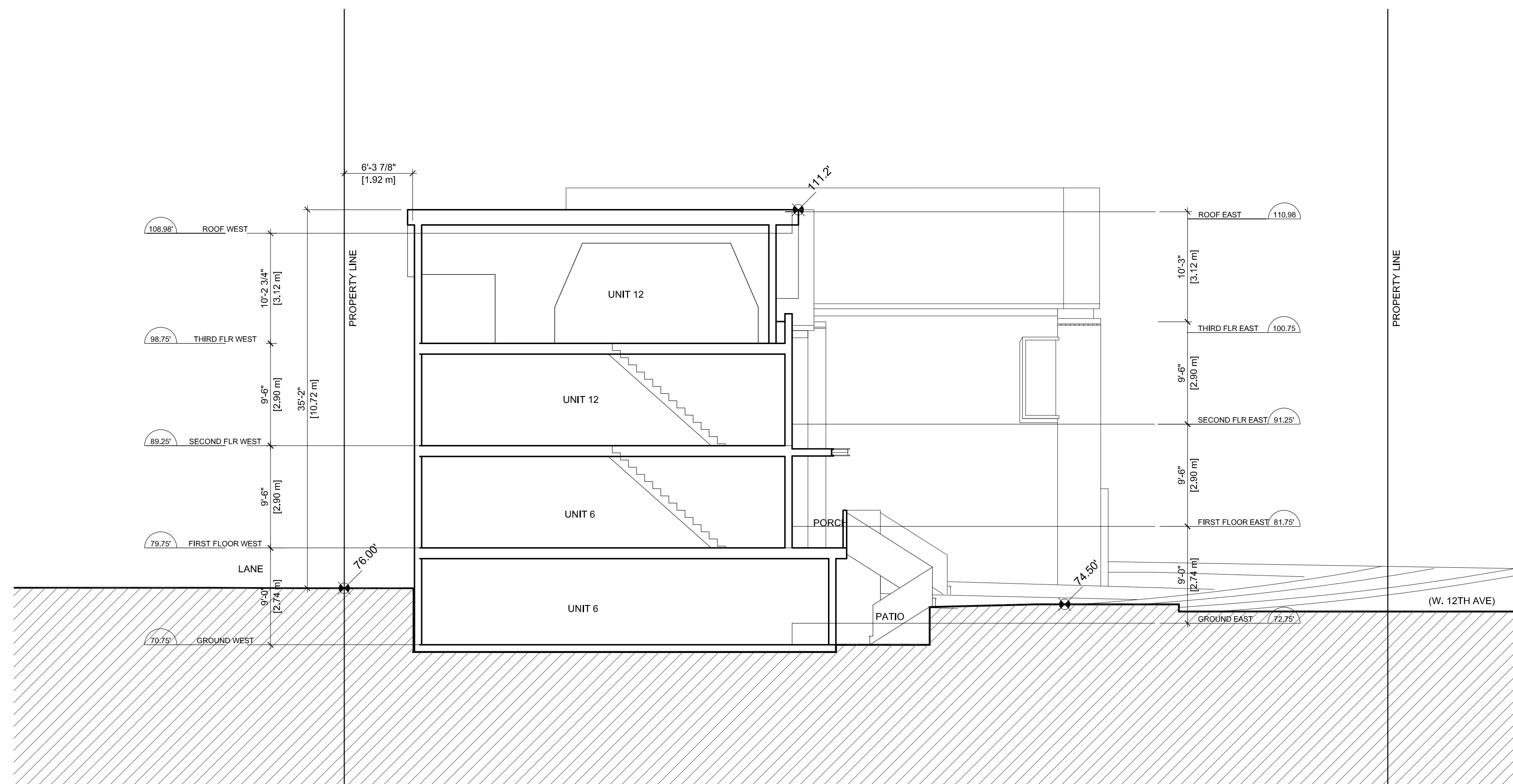


A-A WEST-EAST BUILDING SECTION
A301 1/8" = 1'-0"



B-B NORTH-SOUTH BUILDING SECTION
A301 1/8" = 1'-0"

ISSUED FOR REZONING 3 AUG 2017

Revisions	DD MMM YYYY

Seal

2715 W. 12th Ave
Rental Townhouse
Rezoning

2715 W. 12th Ave
Vancouver
Project

BUILDING
SECTIONS
A-A & B-B

Drawing

Scale 1/8" = 1'-0"

Project 216044

Sheet A300

