

- 2 A-6.02
- 1 A-5.01

NO.	DATE	DESCRIPTION
1	01.09.2017	Rezoning Enquiry
2	02.12.2018	Rezoning Enquiry Resubmission
3	12.04.2018	Rezoning Pre-Application

203-263 WEST 49TH

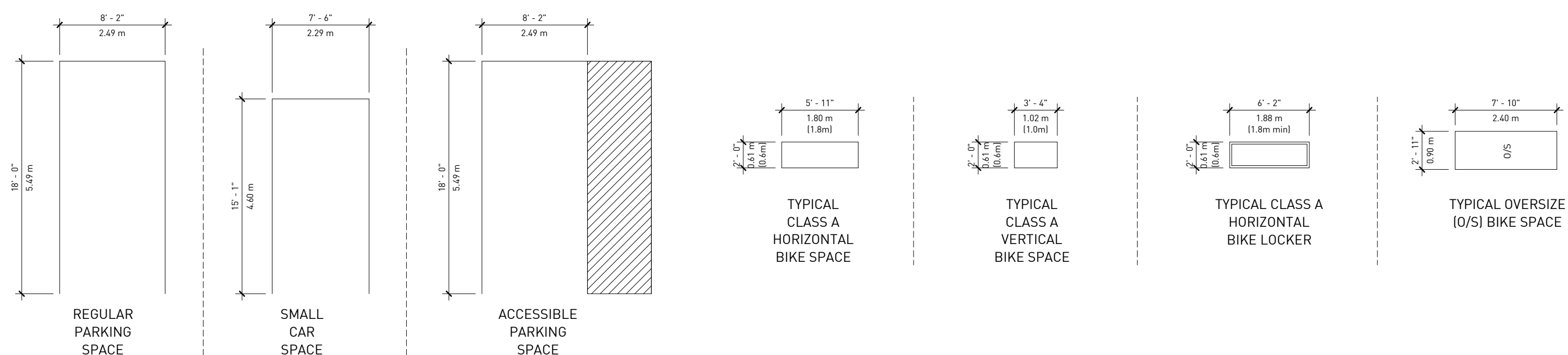
REZONING APPLICATION

LEVEL P2

DATE	9/17/2019 10:23:52 AM
DRAWN BY	Author
CHECKED BY	Checker
SCALE	As indicated
JOB NUMBER	17039

A-1.00

PARKING LEGEND



NOTES

REVISIONS

NO.	DATE	DESCRIPTION
1	01.09.2017	Rezoning Enquiry
2	02.12.2018	Rezoning Enquiry Resubmission
3	12.04.2018	Rezoning Pre-Application

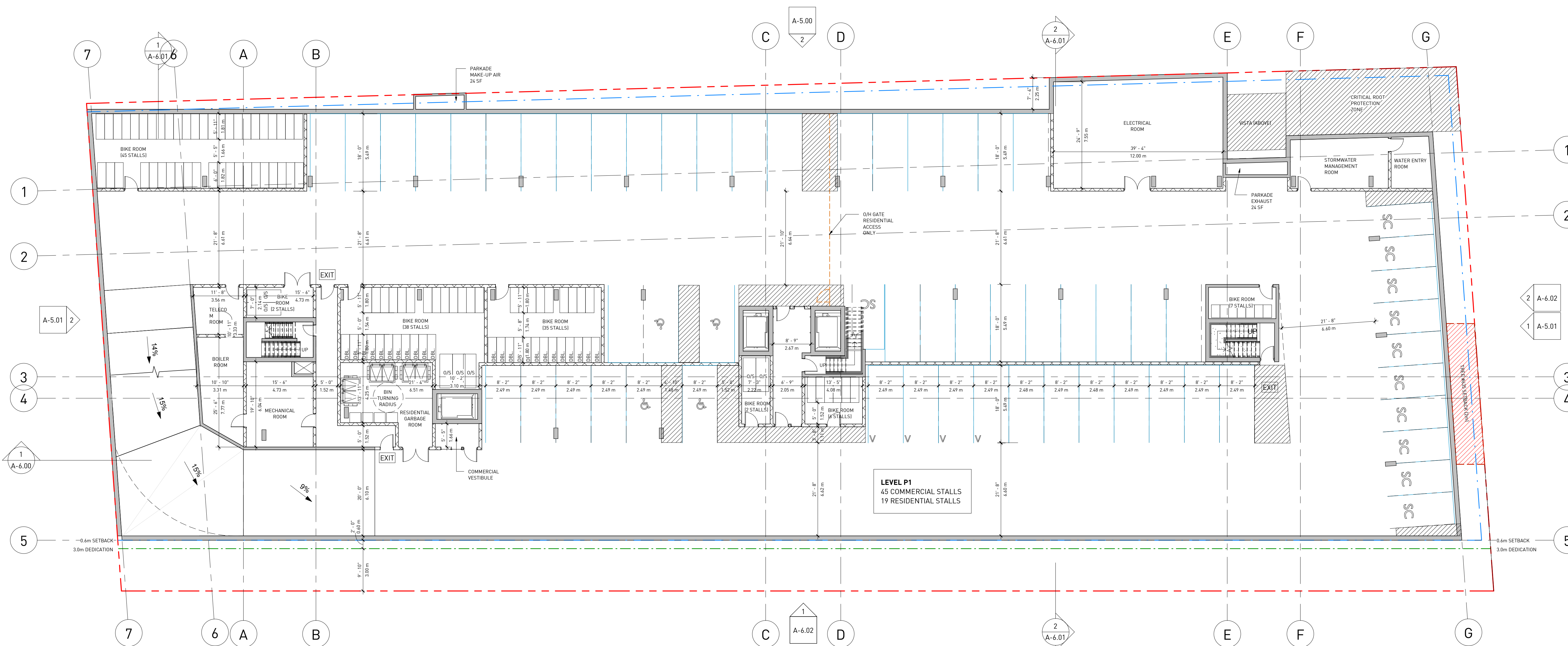
203-263 WEST 49TH

REZONING APPLICATION

LEVEL P1

DATE	9/17/2019 10:23:54 AM
DRAWN BY	Author
CHECKED BY	Checker
SCALE	As indicated
JOB NUMBER	17039

A-1.01



PARKING LEGEND

