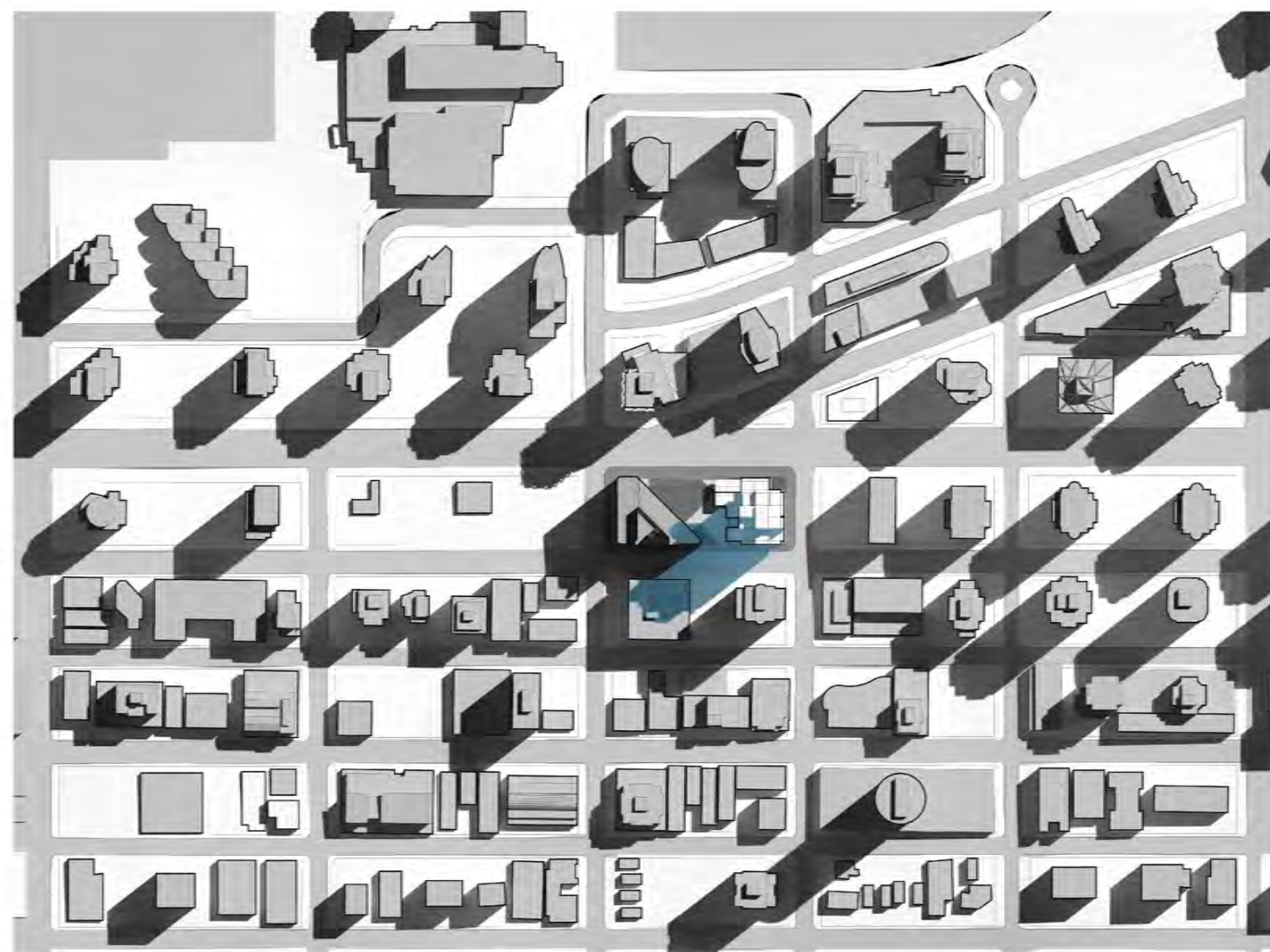
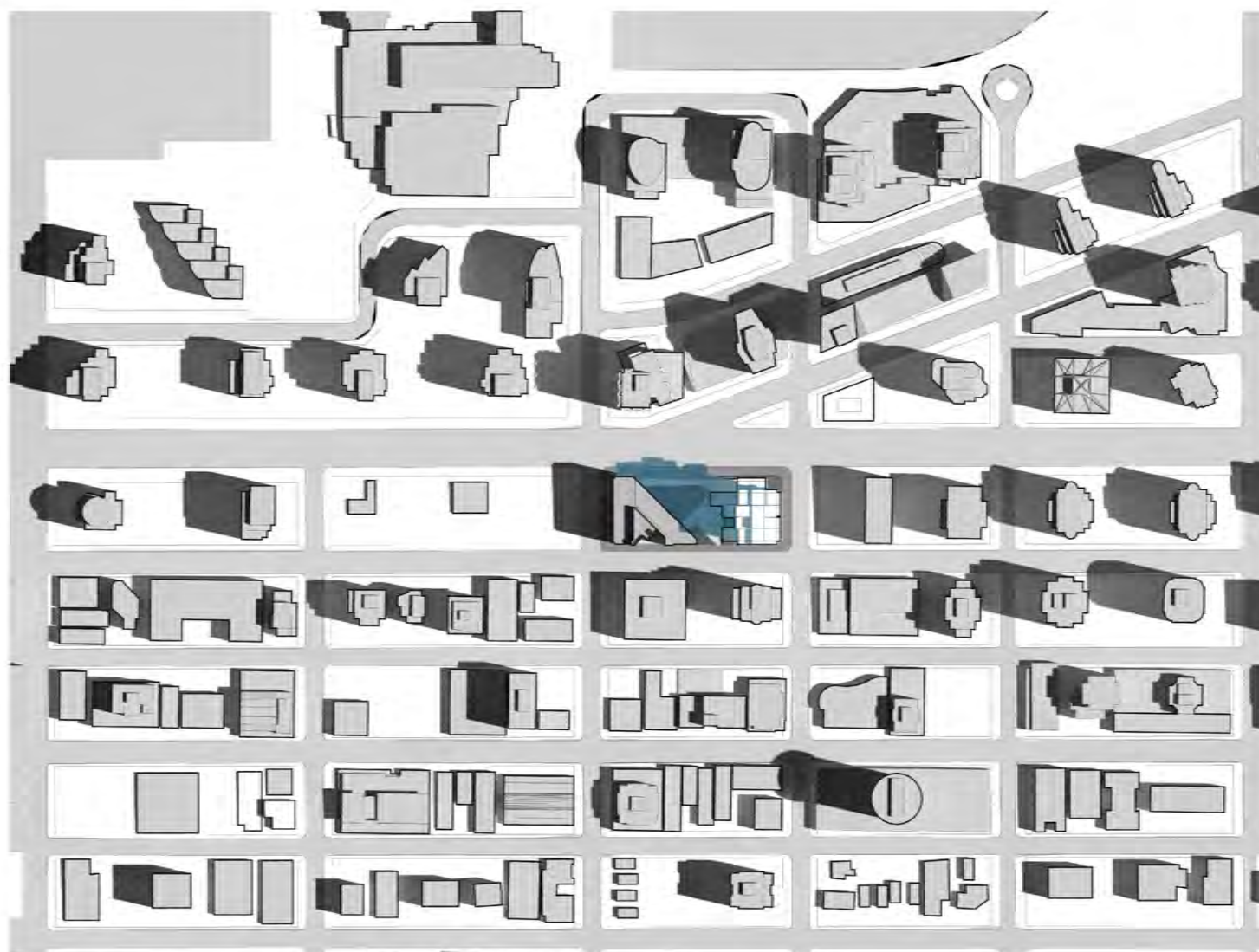


SUMMER SOLSTICE
21st June at 10AM



21st June at 12PM



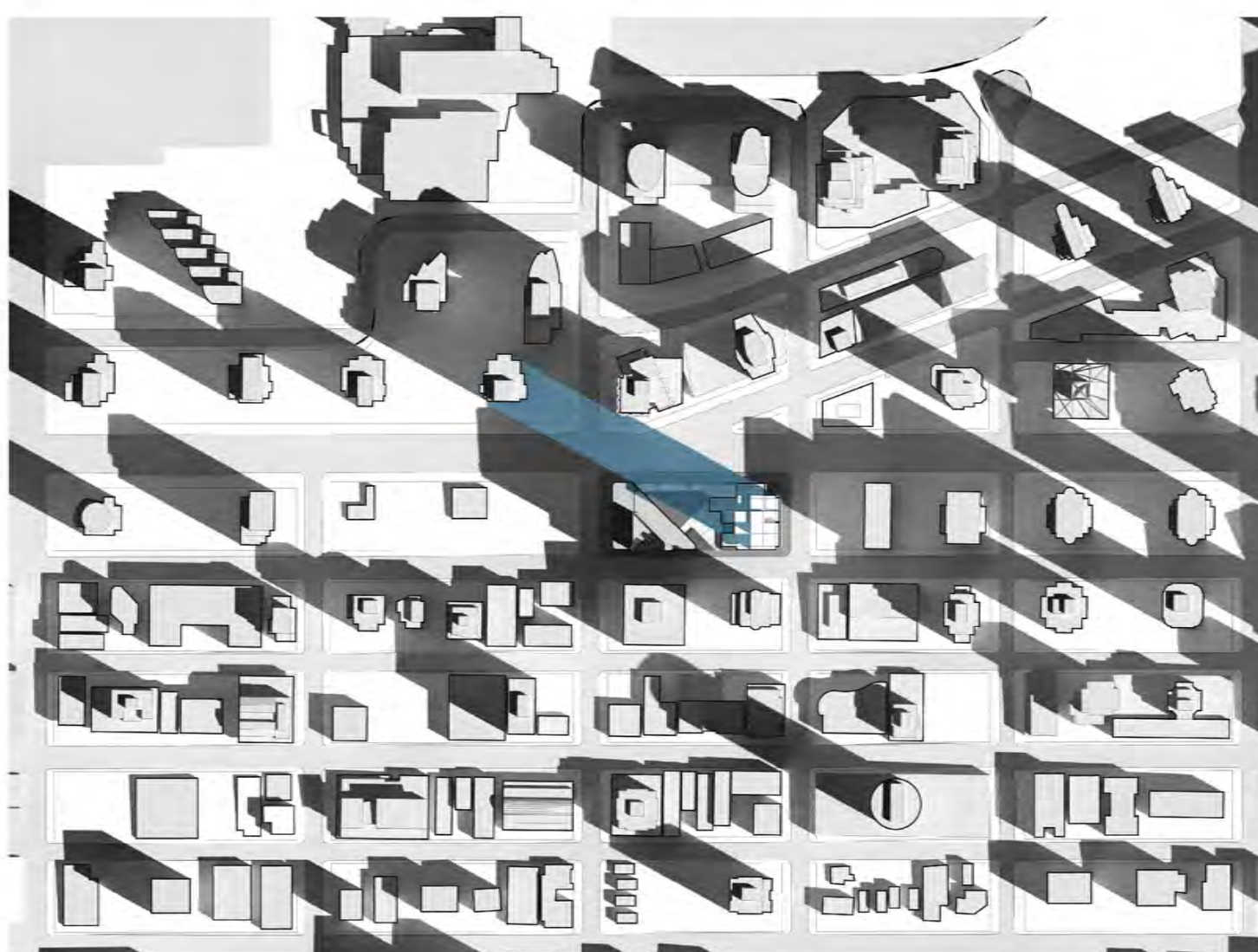
21st June at 2PM



AUTUMN EQUINOX
23rd September at 10AM




23rd September at 12PM



23rd September at 2PM



PROJECT

1500 WEST GEORGIA
WEST END, VANCOUVER,
BRITISH COLUMBIA, CANADA

CLIENT
BOSA PROPERTIES
1100 - 838, WEST HASTINGS STREET
VANCOUVER, BRITISH COLUMBIA
CANADA V6V 0A6
KINGSWOOD PROPERTIES
701 W GEORGIA STREET
VANCOUVER, BRITISH COLUMBIA
CANADA V7Y 1A1

LEAD DESIGN CONSULTANT
PFS STUDIO
Buro Ole Scheeren LIMITED
UNIT 2207-9, TOWER TWO, LIPPO CENTER
89 QUEENSWAY, ADMIRALTY
HONG KONG
TEL: +852 2530 8870
WWW.BURO-OS.COM

EXECUTIVE ARCHITECT
FRANCL ARCHITECTURE
1884 WEST 2ND AVENUE
VANCOUVER, BRITISH COLUMBIA
CANADA V6J 1H4

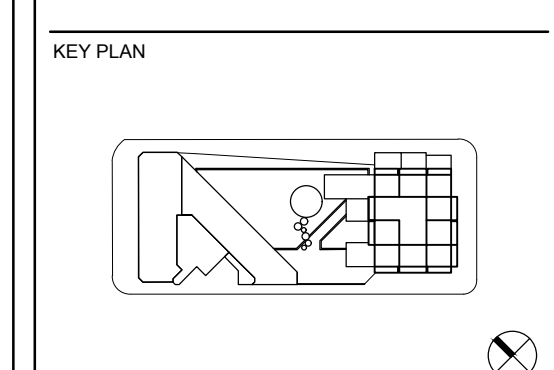
STRUCTURAL CONSULTANT
GLUTMAN-SIMPSON
1601 WEST 6TH AVENUE
VANCOUVER, BRITISH COLUMBIA
CANADA V6J 1N5

LANDSCAPE CONSULTANT
PFS STUDIO
1777 WEST 3RD AVENUE
VANCOUVER, BRITISH COLUMBIA
CANADA V6J 1K7

TRAFFIC CONSULTANT
BUNT & ASSOCIATES
SUITE 1650, 1050 WEST PENDER STREET
VANCOUVER, BRITISH COLUMBIA
CANADA V6E 3S7

REV	DATE	DESCRIPTION

NOT FOR CONSTRUCTION
DO NOT SCALE FROM DRAWING. ALL DIMENSIONS MUST BE VERIFIED ON SITE. THIS DOCUMENT CONTAINS COPYRIGHTED MATERIAL. ANY UNAUTHORIZED USE, DISCLOSURE, REPRODUCTION OR DUPLICATION OF ANY OF THE INFORMATION CONTAINED HEREIN MAY RESULT IN LIABILITY UNDER APPLICABLE LAWS.



TITLE
SITE SHADOW STUDIES

PROJ. VAN	DRAWN BY KL
SCALE NTS	CHECKED BY
PAPER SIZE 24X36	PHASE RZS
DATE 05/06/2016	REVISION

DRAWING NO.
A-01-005